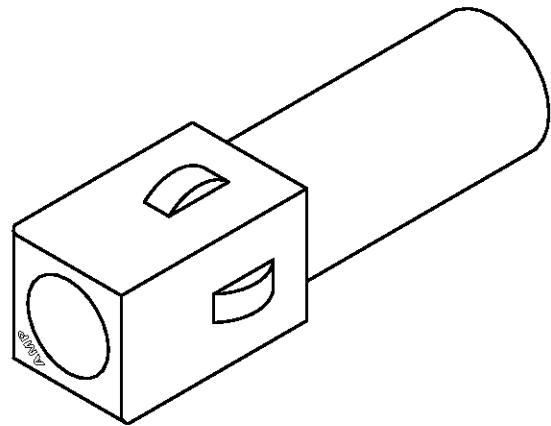
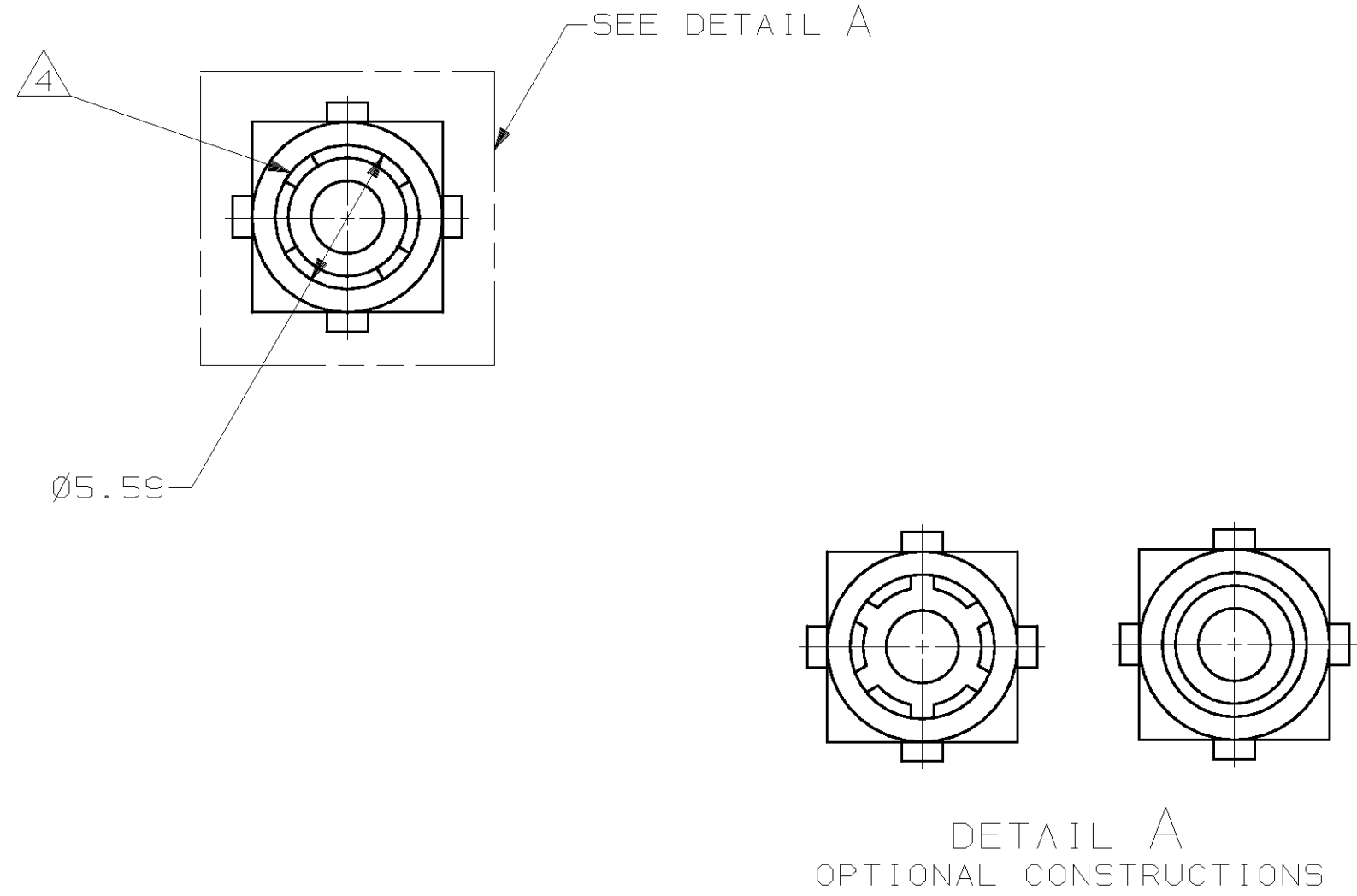
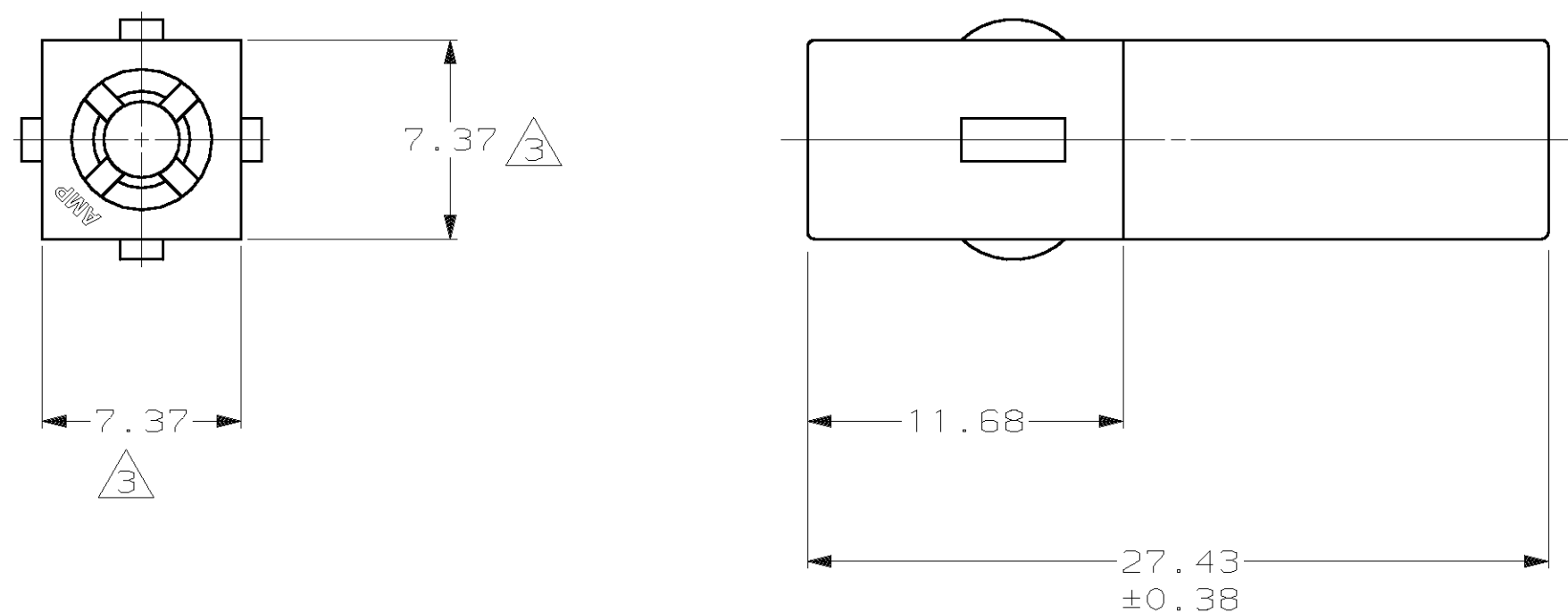


LOC	DIST	REVISIONS						
CM	53	P	F	ZONE	LTR	DESCRIPTION	DATE	APPD
					M	REV PER EC 0G1B-0184-98	10-15-98	JH RS

- MATES WITH APPROPRIATE UNIVERSAL MATE-N-LOK™ CAP.
  - SMALL NICKS ARE PERMITTED ON THE CIRCUIT TOWER WHICH COULD INCREASE THE INITIAL HOUSING MATING FORCE BY UP TO 2.2 NEWTONS [.5 LBS].
- ③ DIMENSION INDICATED IS AS MOLDED. ADDITIONAL GROWTH DUE TO SUBSEQUENT MOISTURE ABSORPTION MAY OCCUR.
- ④ FOUR RIBS EQUALLY SPACED, NO SPECIFIC ORIENTATION. NO RIBS OR SIX RIBS EQUALLY SPACED, NO SPECIFIC ORIENTATION, OPTIONAL.



3-DIMENSIONAL MODEL  
NTS

27.43	1.080
11.68	.460
7.37	.290
5.59	.220
0.38	.015
0.13	.005
MM	IN

**METRIC**

DO NOT SCALE PRINT. UNLESS SPECIFIED DIMENSIONS IN mm [INCHES] TOLERANCES ON : 2 PLC DEC ± 0.13 3 PLC DEC ± - ANGLES ± 0°30'		DR 3-9-92 K. WHITAKER		1-350867-0 PART NO	
MATERIAL NYLON, UL 94V-2 NATURAL		CHK 3-9-92 R. SWING		AMP AMP Incorporated Harrisburg, PA 17105-3608	
FINISH -		APPD 3-10-92 D. SELF		NAME PLUG, SINGLE CIRCUIT, UNIVERSAL MATE-N-LOK™	
APPLICATION SPEC -		APPD 3-10-92 D. SELF		DRAWING NO 350867	
WEIGHT -		PRODUCT SPEC -		SIZE C 00779	
		APPLICATION SPEC -		CAGE CODE 00779	
		WEIGHT -		DRAWING NO 350867	
				SCALE 4:1	
				SHEET 1 OF 1	